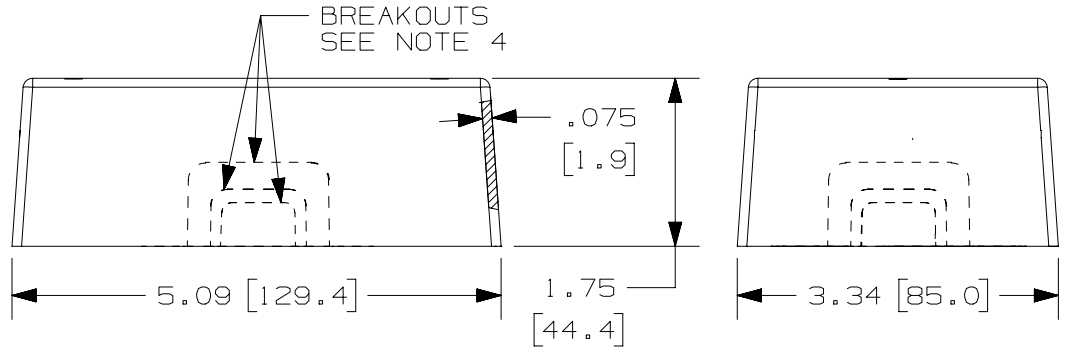


THIS COPY IS PROVIDED ON A RESTRICTED BASIS AND IS NOT TO BE USED IN ANY WAY DETRIMENTAL TO THE INTERESTS OF PANDUIT CORP.

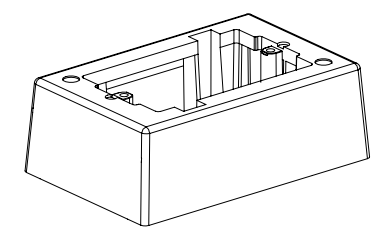
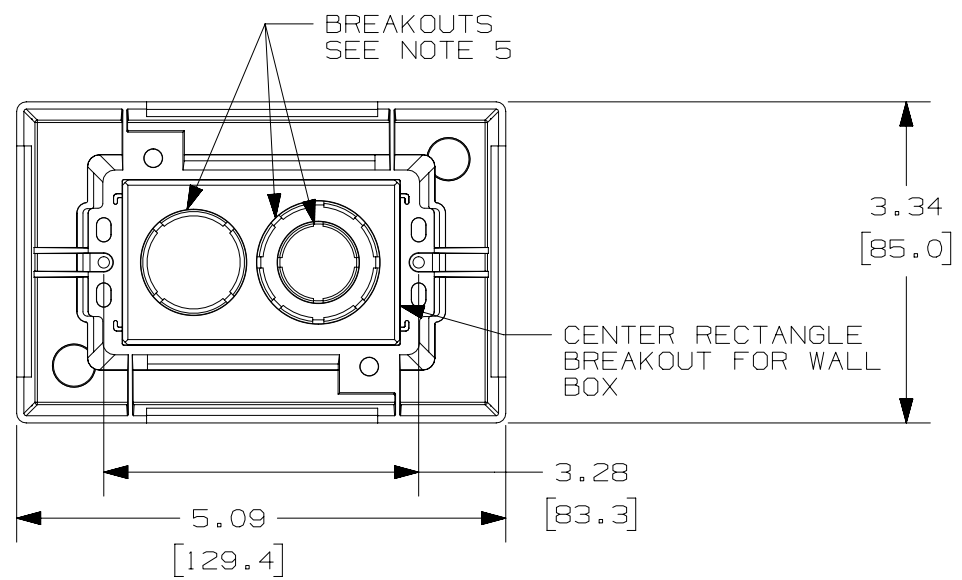
NO WARRANTY, EXPRESSED OR IMPLIED, IS MADE BY PANDUIT WITH RESPECT TO ADHESIVE BOND PERFORMANCE. AMONG OTHER THINGS, THE CONDITIONS UNDER WHICH THESE MOUNTS MAY BE APPLIED AND/OR THE SURFACE TO WHICH THEY MAY BE APPLIED ARE BEYOND PANDUIT CONTROL.

PANDUIT PART NUMBER	WEIGHT	VOLUME CU. IN./CC
JB1-A	0.17 LB [ 75.9 G ]	22.9 [ 376 ]



**NOTES:**

1. SEE CURRENT CATALOG FOR ADDITIONAL PART SUFFIXES TO INDICATE COLOR AND OR PACKAGE QUANTITY.
2. ADHESIVE PRESSURE SENSITIVE FOAM .040 (1.0) THICK WITH PROTECTIVE LINER IS PROVIDED FOR EASE OF MOUNTING.
3. DIMENSIONS IN PARENTHESIS ARE IN METRIC.
4. BREAKOUTS ARE PROVIDED FOR LDS, LD & LDPH RACEWAYS.
5. BEAKOUTS TO ACCOMODATE CONDUIT SIZES OF 1/2" 3/4" & 1" DIAMETERS.



REV	DATE	BY	CHK	APR	DESCRIPTION	ECN
3	02-21-13	JBN	RTFI	RTFI	G. UPDATED DRAWING BORDER & TITLE BLOCK	35541-53

<p>TITLE</p> <p align="center"><b>ONE PIECE JUNCTION BOX</b> <b>JB1-A</b></p> <p align="center">CUSTOMER DRAWING</p>					
<p>ITEM REVISION NAME</p> <p align="center">D35541DQ/00</p>					
<p>DATASET FILE NAME</p> <p align="center">D35541DQ_DC_JB1/00C</p>					
<p>UNLESS OTHERWISE SPECIFIED, DIMENSIONAL TOLERANCES ARE: IN ( mm )</p> <p>.X ± .XX ± .03 [ .8 ]      .XXX ± ANGLS ±</p>					
<p>DRAWN BY</p> <p>PM</p>				<p>DATE</p> <p>10-15-96</p>	
<p>CHK</p> <p>CEF</p>		<p>SCALE</p> <p>NONE</p>		<p>DRAWING NUMBER:</p> <p>35541-53</p>	
<p>THIRD ANGLE PROJECTION</p>				<p>SHT 1 OF 1</p>	
<p>SIZE</p> <p align="right">A</p>					

D10100DA/14