

29W47

Brand Features

Leviton's Wetguard line of industrial watertight wiring devices are the most versatile, well-engineered watertight devices on the market. They meet IP67 and NEMA ratings for water ingress protection, and offer many significant advantages over competitive brands.

Item Description

30 Amp, 125 Volt, NEMA L5-30R, 2P, 3W, Locking Connector, Industrial Grade, Grounding, Wetguard - YELLOW



UPC Code: 07847796873

Country Of Origin: United States

NEMA:
L5-30R



Technical Information

Electrical Specifications

Grounding: Grounding

Amperage: 30 Amp

Voltage: 125 Volt

Pole: 2

Wire: 3

Dielectric Voltage: Withstands 2000V per UL498

Current Limiting: Full Rated Current

Temperature Rise: Max 30C after 250 cycles OL at 200 percent rated current

Environmental Specifications

Flammability: Rated V-2 per UL94

Operating Temperature: -40C to 60C

Environment: Wet

Material Specifications

Body Material: EPTR Rubber

Body Interior: Nylon

Compression Nut, Strain Relief: Nylon

Wire Module: Nylon

Bushing: Santoprene TPV

Blades/Contacts: Nickel-Plated Brass

Terminal Screws: Electroless Nickel-coated Brass

Assembly Screws: Stainless Steel 300

Mechanical Specifications

Terminal ID: Brass-Hot, Green-Ground, Silver-Neutral

Terminal Accom.: #12 to #8

Product ID: Ratings and NEMA I.D. permanently marked on device

Cord Grip Range (in): .625-1.125

Product Features

NEMA: L5-30R

Blades/Contacts: Nickel-Plated Brass

Body Material: EPTR Rubber

Assembly Screws: Stainless Steel 300

Standards and Certifications: UL/CSA

Color: Yellow

Brand: Wetguard

Standards and Certifications

NEMA: WD-6

ANSI: C-73

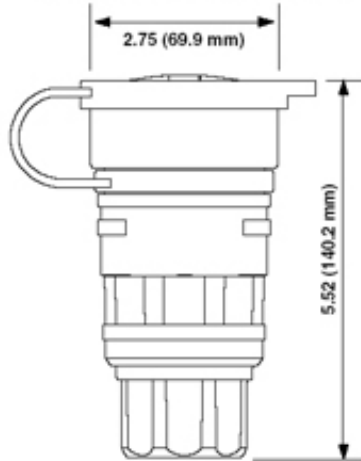
UL: 498

CSA C22.2 No. 42: File LR-406

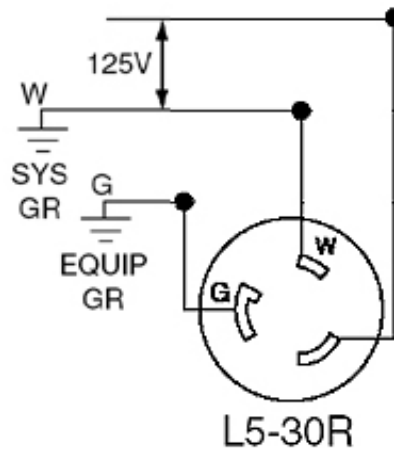
NOM: 057

Warranty: Lifetime Warranty

Dimensional Diagram



Wiring Diagram



SPECIFICATION SUBMITTAL

JOB NAME:	CATALOG NUMBERS:	
<input type="text"/>	<input type="text"/>	<input type="text"/>
JOB NUMBER:	<input type="text"/>	<input type="text"/>

Leviton Manufacturing Co., Inc.

201 North Service Road, Melville, NY 11747

Teléfono: +1-800-323-8920 · FAX: +1-800-832-9538 · Tech Line (8:30AM-7:30PM E.S.T. Monday-Friday): +1-800-824-3005

Leviton Manufacturing of Canada, Ltd.

165 Hymus Boulevard, Pointe Claire, Quebec H9R 1E9 · Telephone: +1-800-469-7890 ·

FAX: +1-800-824-3005 · www.leviton.com/canada

Leviton S. de R.L. de C.V.

Lago Tana 43, Mexico DF, Mexico CP 11290 · Tel.: (+52)55-5082-1040 · FAX: (+52)5386-

1797 · www.leviton.com.mx

Visit our Website at: www.leviton.com

© 2018 Leviton Manufacturing Co., Inc. Todos los derechos reservados. Subject to change without notice.

Leviton has a global presence.

If you would like to know where your local Leviton office is located please go to:

www.leviton.com/international/contacts/

